

INSWDO2IRWCF

2.1MP 1080P HD over COAX WEDGE Camera W/IR, 130DB

- 1/2.7" 2 Megapixel Progressive CMOS
- HD and SD dual-output
- Maximum 30 fps at 1080P
- IP67, IK10, DC12V
- True WDR 130dB
- IR distance up to 30m

Unify your Security Solution

Long-distance and real-time transmission without any loss. It supports up to 800m for 1080P Full HD video via coaxial cable, and up to 300m via UTP cable.

HD over Coax

The HD over Coax technology can support up to 4 signals transmitted over coaxial cable. With the dual-way data transmission the HD over Coax camera can interact with the STORM DVR by alarm triggers or control signals.

Wide Dynamic Range

This camera offers vivid imaging in any scenario. Using industry-leading WDR technology, you'll be able to capture the subject in the most contrast lighting conditions.

HD over Coax



*Design and specifications are subjects to change without notice.

INSWDO2IRWCF

2.1MP 1080P HD over COAX
WEDGE Camera W/IR, 130DB

Product Specifications

Camera					
Image Sensor	1/2.7" 2 Megapixel progressive CMOS				
Effective Pixels	1928(H) × 1088(V)				
Scanning System	Progressive				
Electronic Shutter Speed	PAL: 1/25 s–1/100,000 s NTSC: 1/30 s–1/100,000 s				
Minimum Illumination	0.001 Lux/F1.6, 30 IRE, 0 Lux IR on				
S/N Ratio	More than 65 dB				
IR Distance	Up to 30 m (98.4 ft)				
IR LEDs	8				
Camera Features					
Day/Night	Auto (ICR) / Manual				
Backlight Compensation	BLC / HLC / WDR 130dB				
White Balance	Auto/Manual				
Gain Control	AGC				
Noise Reduction	3D NR				
White Balance	Auto / Manual				
Smart IR	Auto / Manual				
Privacy Masking	Off/On (8 area, rectangle)				
Lens					
Lens Type	Fixed Lens				
Mount Type	Board-in				
Focal Length	2.8mm				
Max. Aperture	F1.6				
Viewing Angle	H: 109°; V: 58°; D: 127°				
Pan/Tilt/Rotation	Pan: -30° to 30°; Tilt: 0° to 80°; D: 0° to 360°				
DORI Distance	Lens	Detect	Observe	Recognize	Identify
	2.8mm	42.2 m (138.5 ft)	16.9 m (55.4 ft)	8.4 m (27.6 ft)	4.2 m (13.8 ft)
Video					
Frame Rate	CVI - PAL: 1080p at 25 fps; NTSC: 1080p at 30 fps; AHD - PAL: 1080p at 25 fps; NTSC: 1080p at 30 fps; TVI - PAL: 1080p at 25 fps; NTSC: 1080p at 30 fps; CVBS - PAL: 960 × 576H; NTSC: 960 × 480H				
Resolution	1080p (1920 × 1080); 960H (960 × 576 / 960 × 480)				
Audio					
Audio Interface	Built-in Microphone				

*Design and specifications are subjects to change without notice.



INSWDO2IRWCF

2.1MP 1080P HD over COAX
WEDGE Camera W/IR, 130DB

Product Specifications

Port	
Video Output	Video output choices of CVI/TVI/AHD/CVBS by one BNC port (DIP Switch)
General	
Power Supply	12V \pm 30% DC
Power Consumption	Less than 2.7W
Working Environment	-40°C to +60°C (-40°F to +140°F); Less than 95% RH
Protection	IP67; IK10
Dimensions	Φ 106 mm \times 50.3 mm (Φ 4.17" \times 1.98")
Weight	0.97 lb (0.59kg)

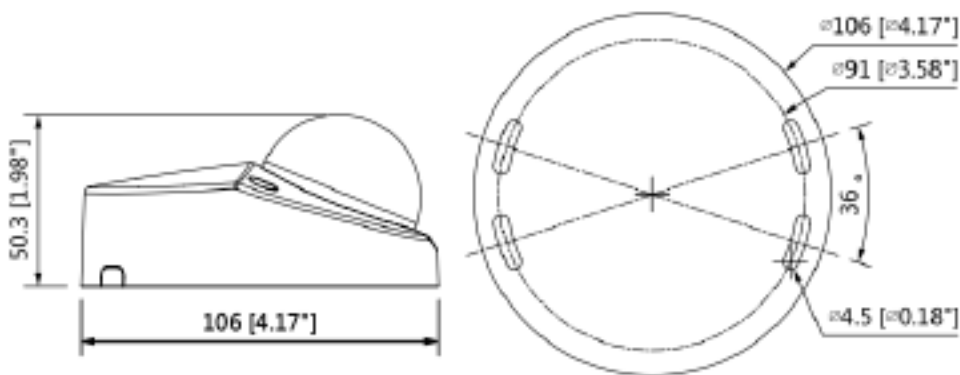
*Design and specifications are subjects to change without notice.



INSWDO2IRWCF

2.1MP 1080P HD over COAX
WEDGE Camera W/IR, 130DB

Product Specifications




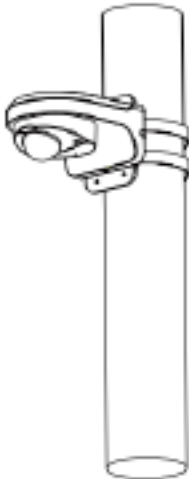
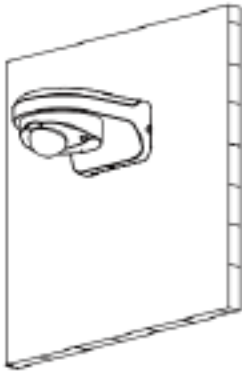
**INSX139
Junction Box**



**INSX204
Wall Mount**



**INSX152
Pole Mount**

Junction Mount	Pole Mount
INSX139	INSX204 + INSX152
	
Wall Mount	
INSX204	
	

*Design and specifications are subjects to change without notice.

